

DS-D6055TL-B

Indoor Wall-Mounted Digital Signage

The digital signage is used to broadcast information, release news, advertise products, etc., which is widely applicable to industry of entertainment, finance, traffic, etc.



Feature and Function

- **Metallic Appearance**

Light weight body with integrative design. The front high-transmittance tempered glass provides reliable protection.

- **Exquisite Image**

Industrial A+ interface, auto-coloring and image-enhancing engine.

- **Variable Materials**

Static and dynamic materials, including pictures, audio, video, scrolling subtitle, PDF, webpage, live video, number calling, pop-up pictures, etc.

- **Flexible Program Schedule**

- Free schedule and district display of multiple materials.
- Multiple play modes with customization support.

- **Centralized Management**

- Remotely control and manage one or more screens, such as timed startup/shutdown, quick startup/shutdown, brightness/volume timed adjustment, and screenshot preview.
- Remote program release and local (USB) program update.

- **Organization Permission**

- 5-level organization available for managing materials, programs, terminals, and users.
- Create custom user with precise permission assignment. Multiple permission templates available.

- **Multiple Security Safeguards**

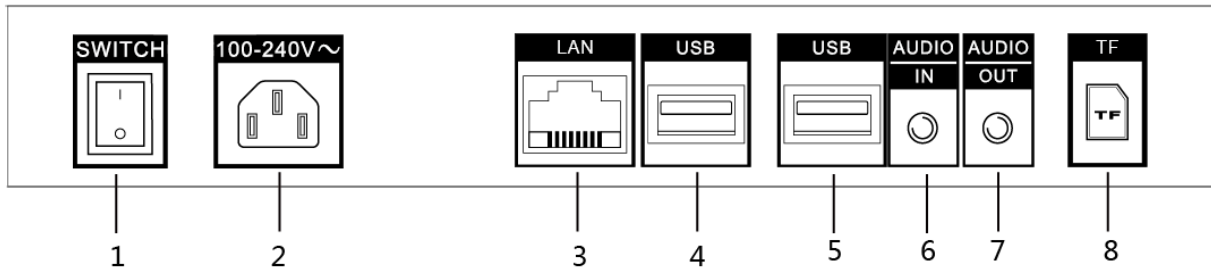
- 3-level check of materials, programs, and schedules to prevent mistake release. Screensaver password to protect displaying.
- Encryption of data storage and transmission to avoid data tampering.
- With no default password, users can activate and set initial password to guarantee the password safety.



Specification


Model		DS-D6055TL-B
Display	Screen size	54.64 inch
	Active display area	1209.6 (H) × 680.4 (V) mm (47.62 × 26.79 inch)
	Backlight	LED backlight
	Pixel pitch	0.21(H) × 0.63(V) mm
	Resolution	1920 × 1080@60 Hz
	Brightness	500 cd/m ²
	Viewing angle	Horizontal: 178°, Vertical: 178°
	Color depth	8 bit
	Contrast ratio	≥ 3500 : 1
	Response time	≤ 6.5 ms
	Refresh rate	60 Hz
	Color gamut	68% NTSC
Built-in system	Operating system	Android 6.0.1
	Processor	Cortex-A17, 4-core, 1.8 GHz
	Memory	2 GB
	Built-in storage	8 GB EMMC, TF 32 GB, Max. 128 GB
Touch	Type	Infrared touch screen
	Glass	3 mm tempered glass, transmittance ≥ 88%
	Touch point	10 point multi-touch
Interface	Video & audio input	1 × AUDIO IN
	Video & audio output	1 × AUDIO OUT
		2 × built-in speaker, 8 Ω 5 W
	Network interface	1 × LAN, Wi-Fi 2.4 G
General	Data transmission interface	2 × USB 2.0, 1 × TF Card Note: The USB interface only supports for low power equipment, such as the keyboard or mouse.
	Material type	DAT, MPG, VOB, TS, AVI, MKV, MP4, MOV, 3GP, TS, FLV, WEBM, ASF, MP1, MP2, MP3, WMA, WAV, OGG, OGA, FLAC, ACC, M4A, XMF, MXMF, RTTTL, RTX, OTA, IMY, JPG, JPEG, BMP, GIF, PNG
	Power supply	100 to 240 VAC, 50/60 ± 3 Hz
	Power consumption	≤ 120 W
	Standby consumption	≤ 10 W
	Working temperature	0 °C to 40 °C (32 °F to 104 °F)
	Working humidity	10% to 90% RH
	Storage temperature	-20 °C to 60 °C (-4 °F to 104 °F)
	Storage humidity	5% to 90% RH
	Product dimensions	1276.56(W) × 748.56(H) × 83.29(D) mm (50.26 × 29.47 × 3.28 inch) (without wall-mounted backboard)
		1276.56(W) × 748.56(H) × 98.79(D) mm (50.26 × 29.47 × 3.89 inch) (with wall-mounted backboard)
	Package dimensions	1488(W) × 965(H) × 262(D) mm (58.58 × 37.99 × 10.31 inch)
	Net weight	36.21 kg (79.83 lb.)
	Gross weight	39.21 kg (86.44 lb.)
Accessory	Power cord, User manual, LOGO	

Physical Interface



No.	Interface	Description	No.	Interface	Description
1	SWITCH	Power switch	2	100-240V~	Power interface
3	LAN	Network interface	4	USB	USB 2.0 interface
5	USB	USB 2.0 interface	6	AUDIO IN	Audio input
7	AUDIO OUT	Audio output	8	TF	TF card slot

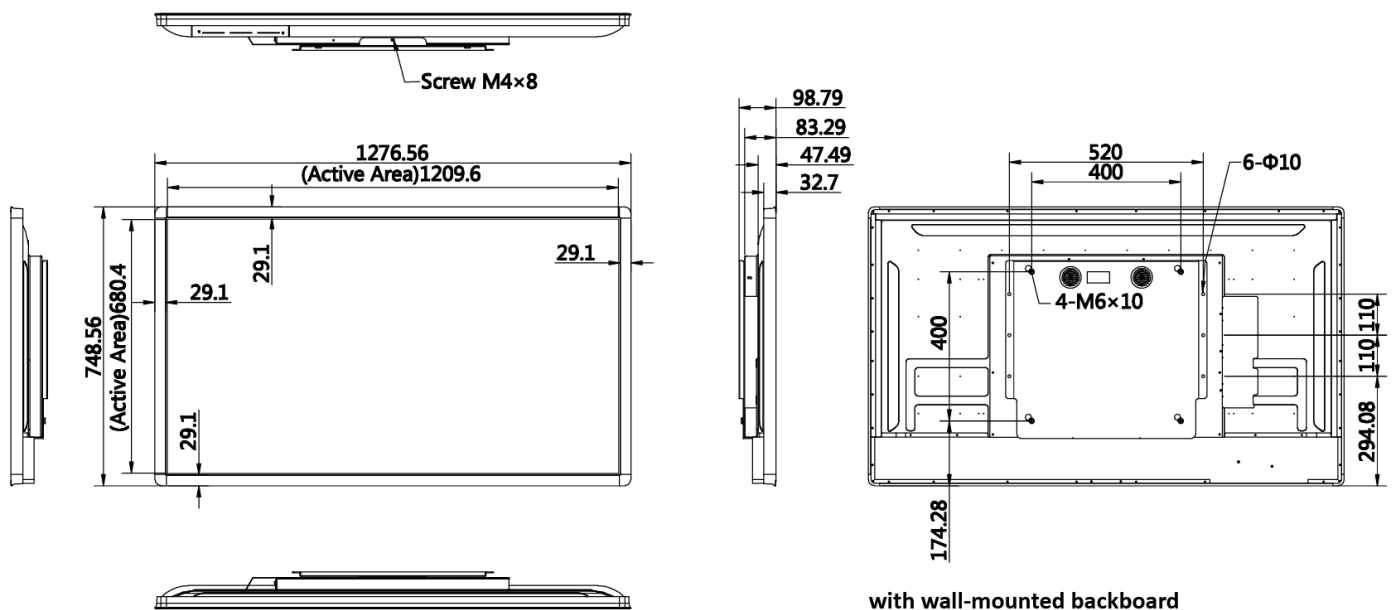
Accessory Device

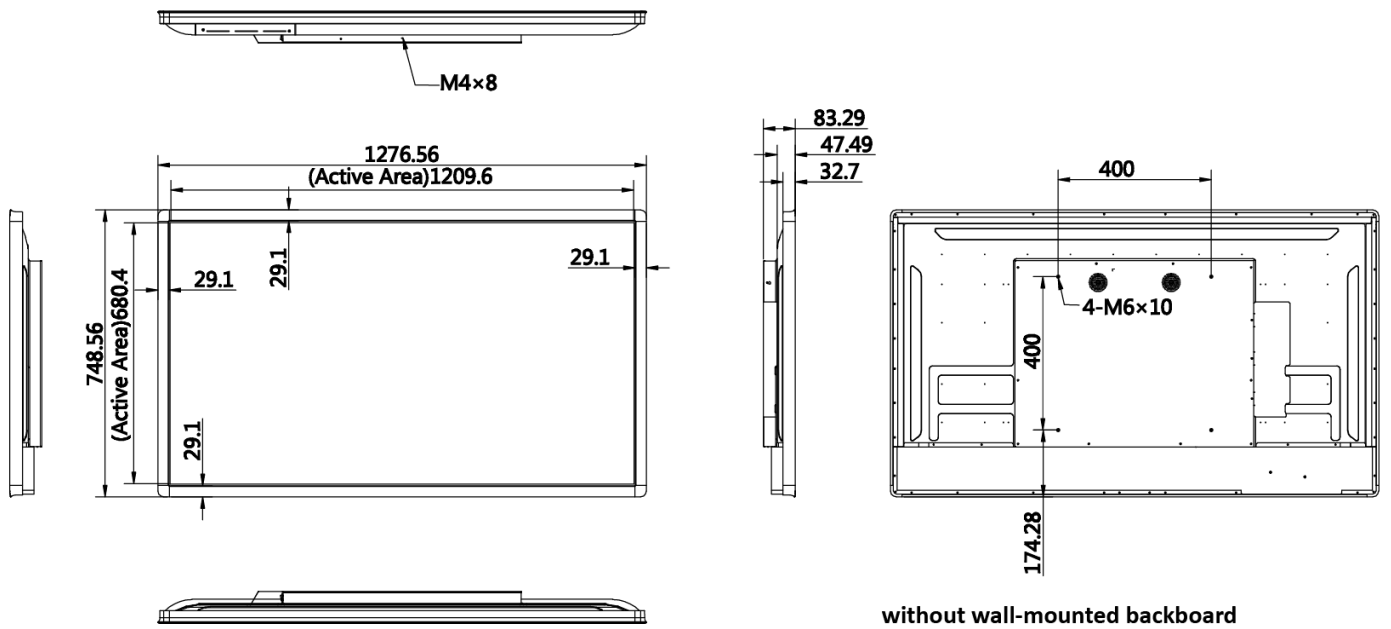
Model	Material Code	Description	Picture
DS-D60S-B	302501753	Information release management server (integration of software and hardware)	

Available Model

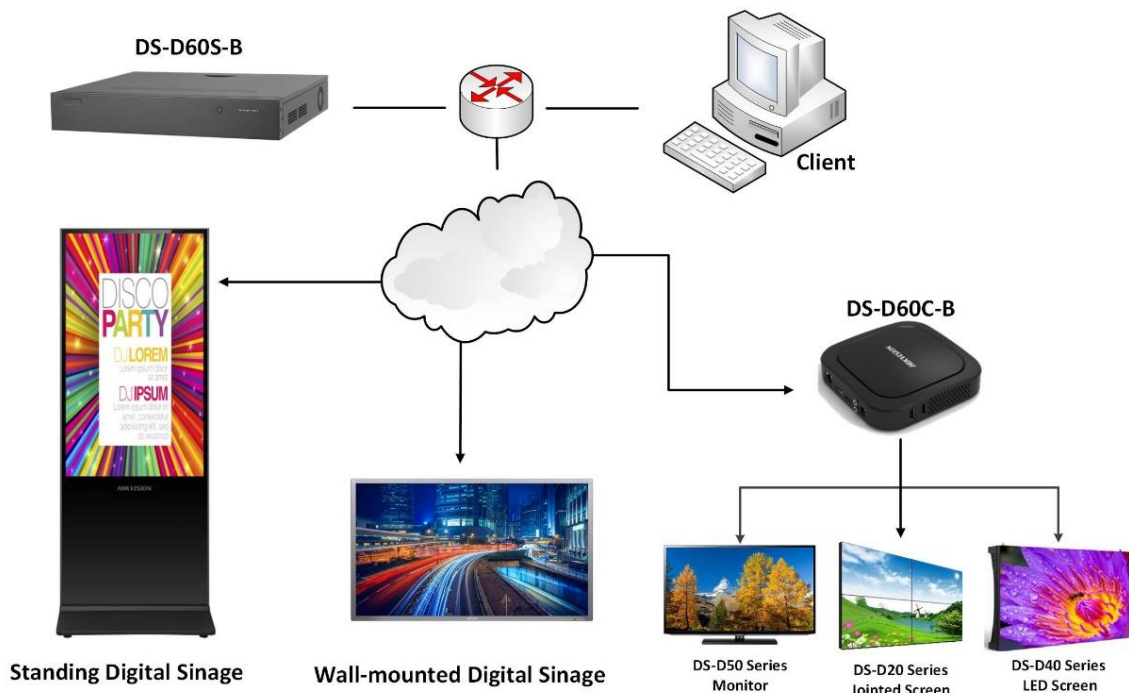
DS-D6055TL-B

Dimension (unit: mm)





Typical Application



Distributed by



HIKVISION®

Headquarters

No.555 Qianmo Road, Binjiang District,
Hangzhou 310051, China
T +86-571-8807-5998
overseasbusiness@hikvision.com

Hikvision USA
T +1-909-895-0400
sales.usa@hikvision.com

Hikvision Australia
T +61-2-8599-4233
salesau@hikvision.com

Hikvision India
T +91-22-28469900
sales@pramahikvision.com

Hikvision Canada
T +1-866-200-6690
sales.canada@hikvision.com

Hikvision Thailand
T +662-275-9949
sales.thailand@hikvision.com

Hikvision Europe
T +31-23-5542770
sales.eu@hikvision.com

Hikvision Italy
T +39-0438-6902
info.it@hikvision.com

Hikvision Brazil
T +55 11 3318-0050
Latam.support@hikvision.com

Hikvision Turkey
T +90 (216)521 7070- 7074
sales.tr@hikvision.com

Hikvision Malaysia
T +601-7652-2413
sales.my@hikvision.com

Hikvision UK & Ireland
T +01628-902140
sales.uk@hikvision.com

Hikvision South Africa
Tel: +27 (10) 0351172
sale.africa@hikvision.com

Hikvision France
T +33(0)1-85-330-450
info.fr@hikvision.com

Hikvision Kazakhstan
T +7-727-9730667
nikia.panfilov@hikvision.ru

Hikvision Vietnam
T +84-974270888
sales.vt@hikvision.com

Hikvision UAE
T +971-4-4432090
salesme@hikvision.com

Hikvision Singapore
T +65-6684-4718
sg@hikvision.com

Hikvision Spain
T +34-91-737-16-55
info.es@hikvision.com

Hikvision Tashkent
T +99-87-1238-9438
uzb@hikvision.ru

Hikvision Hong Kong
T +852-2151-1761
info.hk@hikvision.com

Hikvision Russia
T +7-495-669-67-99
saleru@hikvision.com

Hikvision Korea
T +82-(0)31-731-8817
sales.korea@hikvision.com

Hikvision Poland
T +48-22-460-01-50
info.pl@hikvision.com

Hikvision Indonesia
T +62-21-2933759
Sales.Indonesia@hikvision.com

Hikvision Colombia
sales.colombia@hikvision.com